

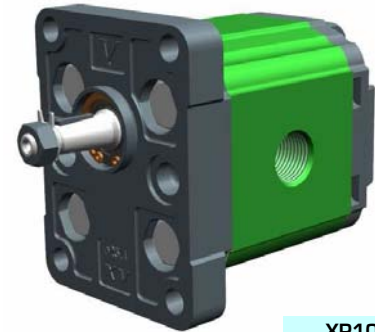
# unidirectional pump - series XV

**XV-1P**

**STANDARD EUROPEAN PUMP**  
**ø25.4 FLANGE - TAPER SHAFT**

**X 1 P 25 02 F B B A**

Series	X	series XV
Group	1	group 1
Category	P	unidirectional pump
Displacement	25	3.8
Flange	02	Ø25.4 STANDARD EUROPEAN right rotation
Shaft	F	CO001 - Tapered 1:8 - ø10 - M7x1 - key thk.2.4
Body	IN	inlet - 3/8" GAS
	OUT	outlet - 3/8" GAS
Cover	A	standard



**XP105**

### Technical data table

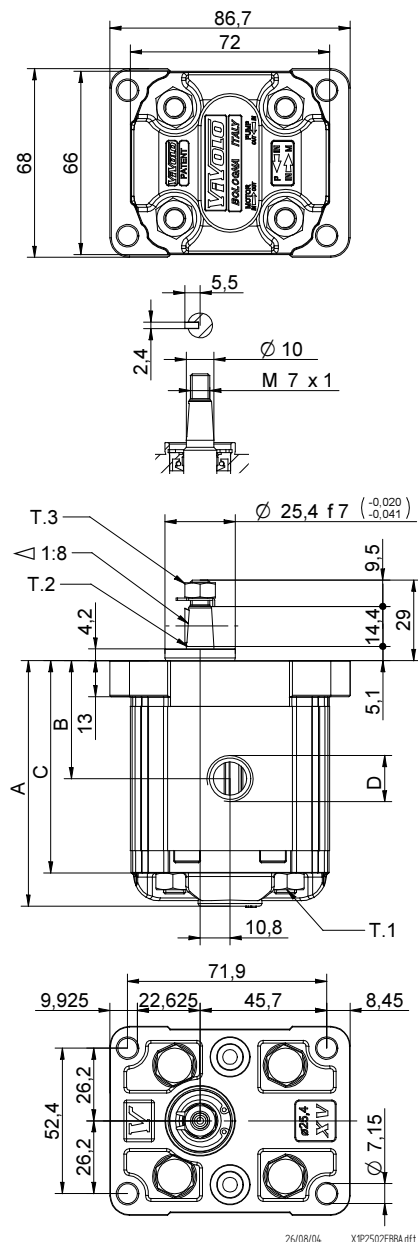
TYPE	Displacement cm3/rev	Max. Pressure		CODE			
		P1 bar	P3 bar	Left rotation		Right rotation	
XV-1P/0.9	0,91	240	280	X 1 P 16 01	F B B A	X 1 P 16 02	F B B A
XV-1P/1.2	1,17	250	290	X 1 P 17 01	F B B A	X 1 P 17 02	F B B A
XV-1P/1.7	1,56	250	290	X 1 P 18 01	F B B A	X 1 P 18 02	F B B A
XV-1P/2.2	2,08	250	290	X 1 P 20 01	F B B A	X 1 P 20 02	F B B A
XV-1P/2.6	2,60	250	300	X 1 P 21 01	F B B A	X 1 P 21 02	F B B A
XV-1P/3.2	3,12	250	300	X 1 P 23 01	F B B A	X 1 P 23 02	F B B A
XV-1P/3.8	3,64	250	300	X 1 P 25 01	F B B A	X 1 P 25 02	F B B A
XV-1P/4.3	4,16	250	300	X 1 P 27 01	F B B A	X 1 P 27 02	F B B A
XV-1P/4.9	4,94	250	300	X 1 P 29 01	F B B A	X 1 P 29 02	F B B A
XV-1P/5.9	5,85	250	300	X 1 P 31 01	F B B A	X 1 P 31 02	F B B A
XV-1P/6.5	6,50	250	300	X 1 P 32 01	F B B A	X 1 P 32 02	F B B A
XV-1P/7.8	7,54	220	260	X 1 P 34 01	F B B A	X 1 P 34 02	F B B A
XV-1P/9.8	9,88	190	230	X 1 P 36 01	F B B A	X 1 P 36 02	F B B A

P1) Max. working pressure - P3) Max. peak pressure

For heavy-duty applications, it is recommended to check the admissible torque of the shaft

### Dimensions table

TYPE	Weight kg	A	B	C	D	D
		mm	mm	mm	IN	OUT
XV-1P/0.9	0,950	78,1	37,3	66,1	3/8" BSPP	3/8" BSPP
XV-1P/1.2	0,970	79,0	37,8	67,0	3/8" BSPP	3/8" BSPP
XV-1P/1.7	1,010	80,5	38,5	68,5	3/8" BSPP	3/8" BSPP
XV-1P/2.2	1,030	82,5	39,5	70,5	3/8" BSPP	3/8" BSPP
XV-1P/2.6	1,060	84,5	40,5	72,5	3/8" BSPP	3/8" BSPP
XV-1P/3.2	1,090	86,5	41,5	74,5	3/8" BSPP	3/8" BSPP
XV-1P/3.8	1,120	88,5	42,5	76,5	3/8" BSPP	3/8" BSPP
XV-1P/4.3	1,170	90,5	43,5	78,5	3/8" BSPP	3/8" BSPP
XV-1P/4.9	1,200	93,5	45,0	81,5	3/8" BSPP	3/8" BSPP
XV-1P/5.9	1,260	97,0	46,8	85,0	3/8" BSPP	3/8" BSPP
XV-1P/6.5	1,300	98,5	48,0	86,5	3/8" BSPP	3/8" BSPP
XV-1P/7.8	1,360	103,5	50,0	91,5	3/8" BSPP	3/8" BSPP
XV-1P/9.8	1,500	112,5	54,5	100,5	3/8" BSPP	3/8" BSPP



26/08/04 XP1P2502FBBAAff

T.1 = 24.5÷29.4 [Nm] - screw tightening torque M8

T.3 = 11.5 [Nm] - torque wrench setting 11

T.2 = 43 [Nm] - admissible shaft torque (N.B. When choosing a shaft, always check the admissible torque).

# Table of variations

**XV-1P**

## ø25.4 FLANGE

ø25.4 FLANGE				Shaft				Cover			
Left rotation		Right rotation						Left rotation		Right rotation	
	<b>01</b>		<b>02</b>	CO001 - Tapered T.2 = 43 [Nm]		CF002 - Milled shank T.2 = 13.8 [Nm]					<b>A</b>
	<b>03</b>		<b>04</b>	SCF04 - Splined T.2 = 22.6 [Nm] m=1.6 Z=6 DIN 5482 - 12x9		SCF02 - Splined T.2 = 42.8 [Nm] m=0.75 Z=15					<b>B</b>
	<b>05</b>		<b>06</b>	SCF01 - Splined T.2 = 42.8 [Nm] m=0.75 Z=15		SCF03 - Splined T.2 = 42.8 [Nm] m=0.75 Z=15					<b>C</b>
	<b>07</b>		<b>08</b>								<b>D</b>

Displacement	
TYPE	CODE
XV-1P/0.9	<b>16</b>
XV-1P/1.2	<b>17</b>
XV-1P/1.7	<b>18</b>
XV-1P/2.2	<b>20</b>
XV-1P/2.6	<b>21</b>
XV-1P/3.2	<b>23</b>
XV-1P/3.8	<b>25</b>
XV-1P/4.3	<b>27</b>
XV-1P/4.9	<b>29</b>
XV-1P/5.9	<b>31</b>
XV-1P/6.5	<b>32</b>
XV-1P/7.8	<b>34</b>
XV-1P/9.8	<b>36</b>

Standard bodies							
Displacement cm3/rev	Standard threads						
	0.9	I - I	B - B	J - J	B - Z	Z - Z	G - F
1.2	I - I	B - B	J - J	B - Z	Z - Z	G - F	
1.7	I - I	B - B	J - J	B - Z	Z - Z	G - F	
2.2	I - I	B - B	J - J	B - Z	Z - Z	G - F	
2.6	I - I	B - B	J - J	B - Z	Z - Z	G - F	
3.2	I - I	B - B	J - J	B - Z	Z - Z	G - F	
3.8	I - I	B - B	J - J	B - Z	Z - Z	G - F	
4.3	I - I	B - B	J - J	B - Z	Z - Z	G - F	
4.9	I - I	B - B	J - J	B - Z	Z - Z	G - F	
5.9	I - I	B - B	J - J	B - Z	Z - Z	G - F	
6.5	I - I	B - B	J - J	B - Z	Z - Z	G - F	
7.8	I - I	B - B	J - J	B - Z	Z - Z	G - F	
9.8	I - I	B - B	J - J	B - Z	Z - Z	G - F	

Table showing standard flange and thread combinations available in stock

		<b>N</b>
Internal drainage		
		<b>O</b>
External drainage		

Body (threads/flanges)							
	<b>A</b>		<b>B</b>		<b>C</b>		<b>D</b>
	<b>E</b>		<b>F</b>		<b>G</b>		
	<b>H</b>		<b>I</b>		<b>J</b>	<b>Closed Body</b>	<b>Z</b>